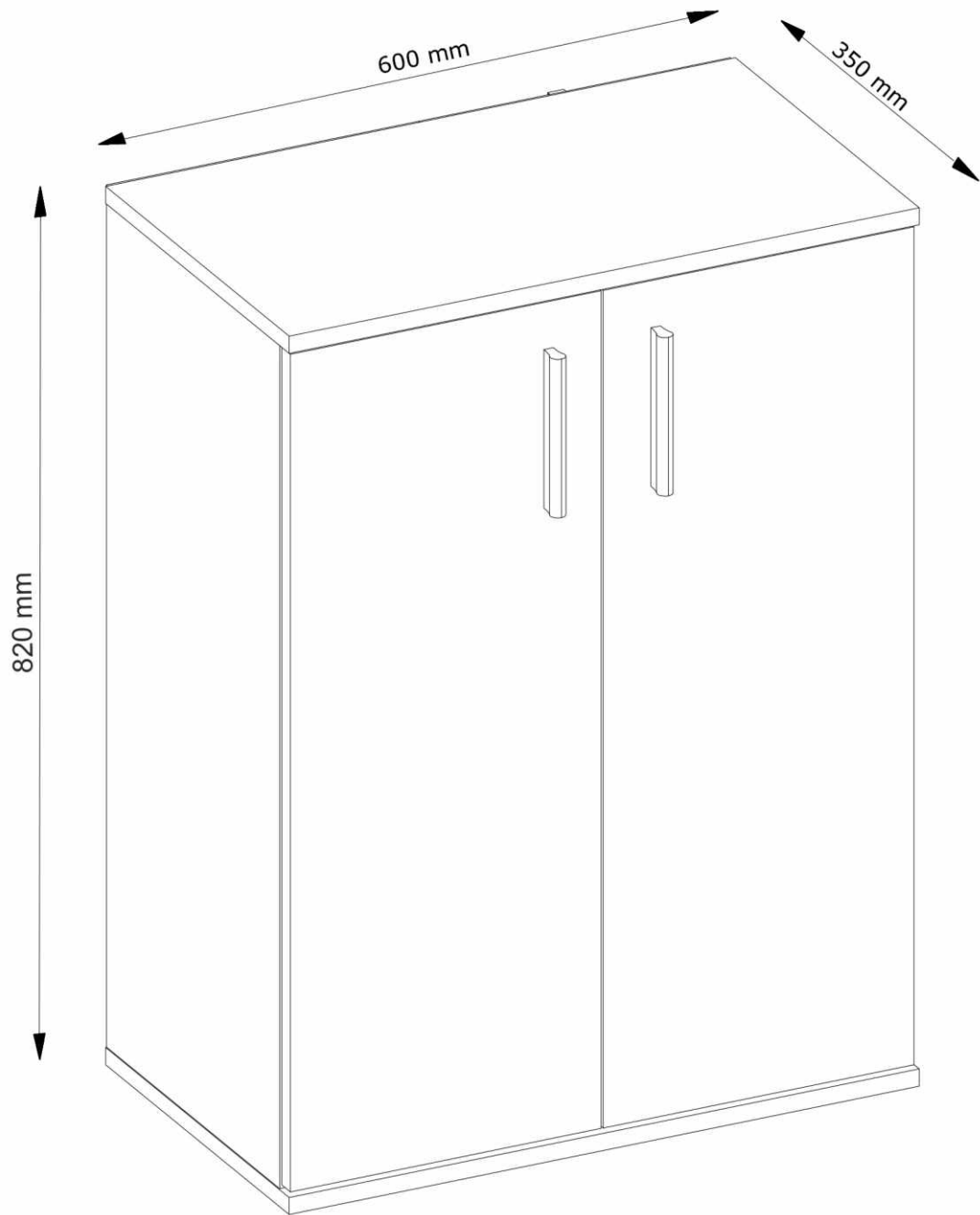
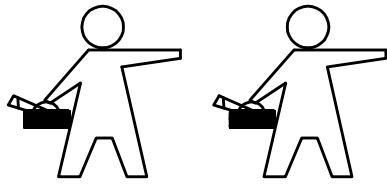
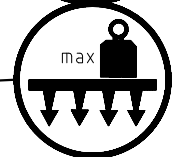
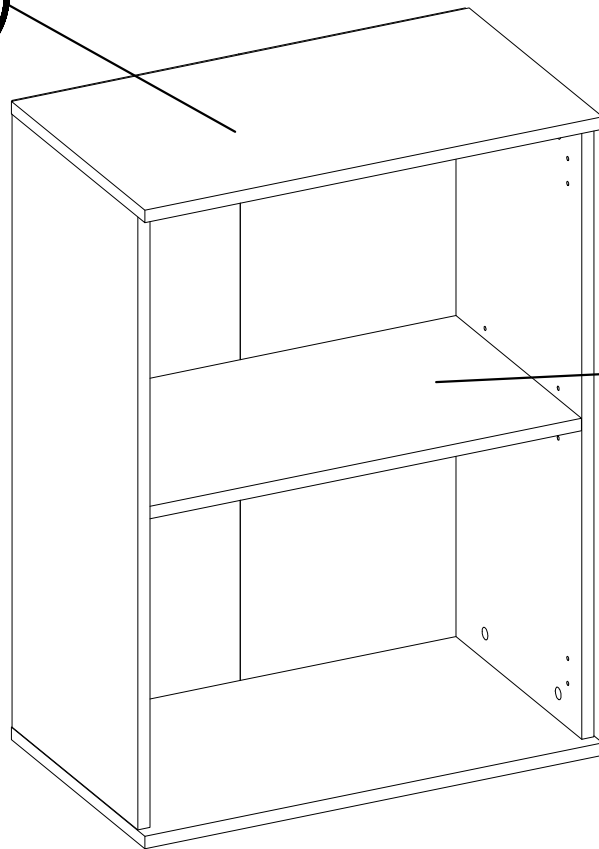
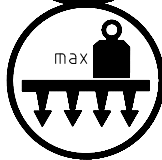


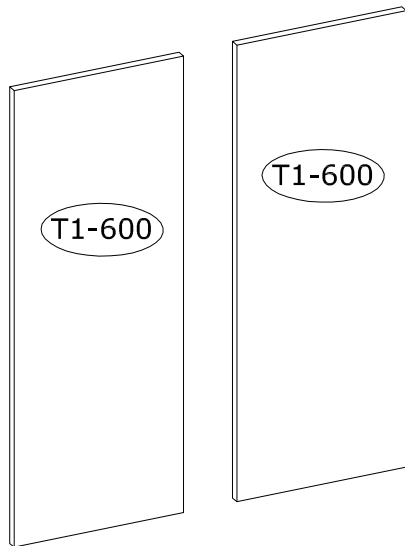
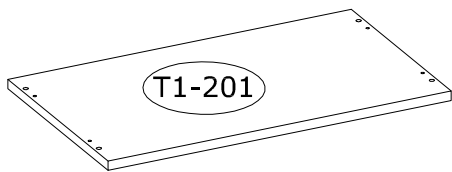
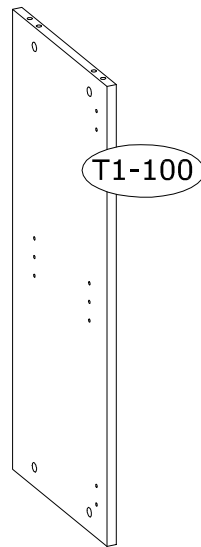
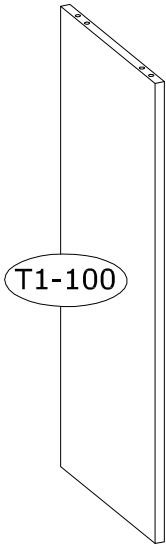
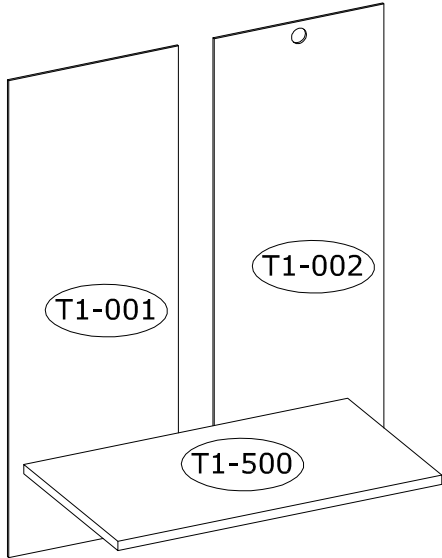
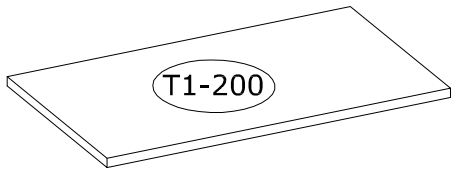
METRIS TYP1

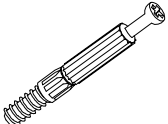
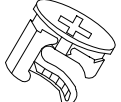

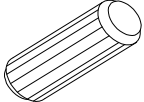
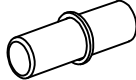


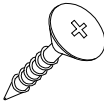
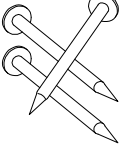
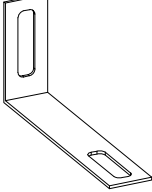

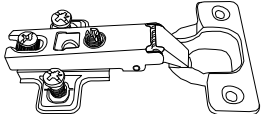
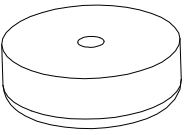



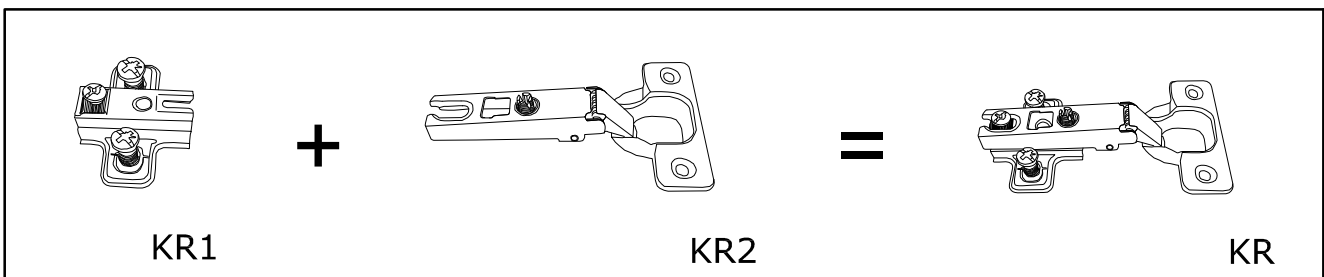


⊕ PH2

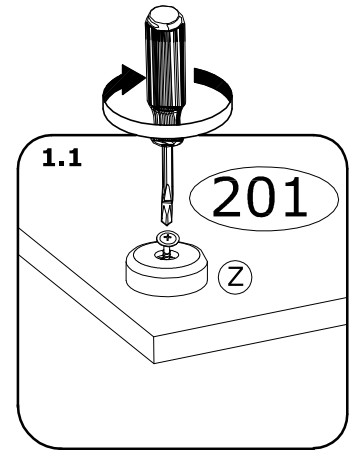
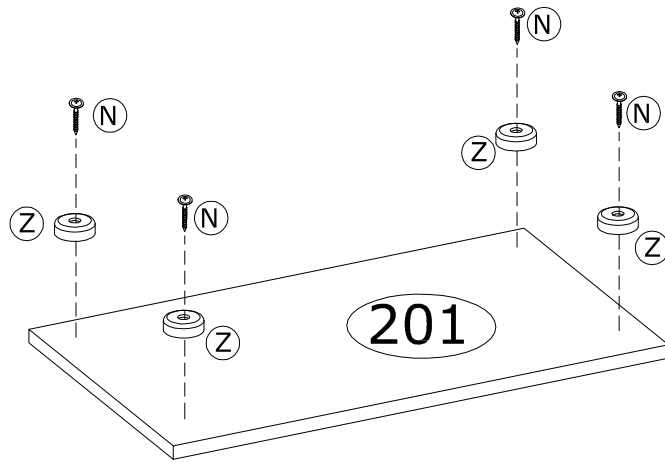




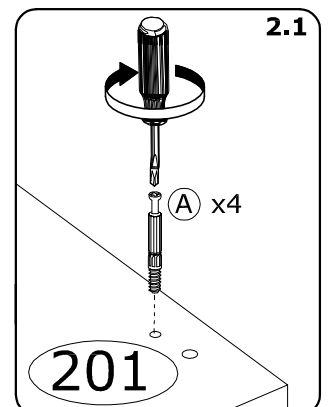
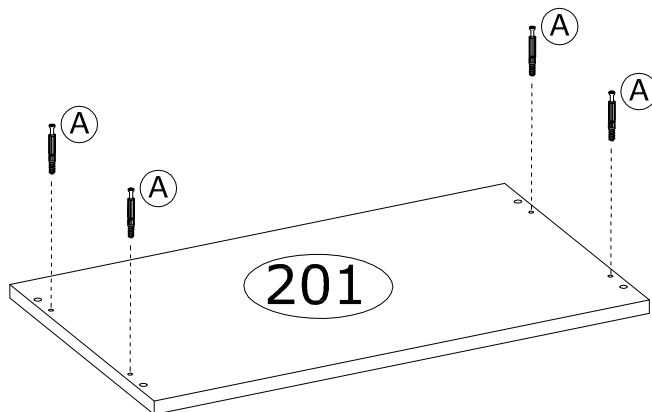
 Ø6.5x36.5mm A-8	 Ø15x16mm B-8	 C-8	 Ø8x30mm D-8
 Ø5 mm E-4	 Ø4.0x25mm M-4	 Ø3.5x20mm N-4	 Ø3,5x16mm J-10
 G-14	 75x35x15mm R-1	 W-2	 KR-4
 Z-4	L=786 mm  X-1		



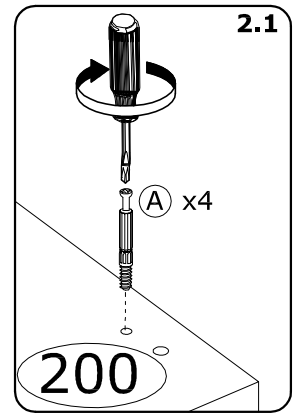
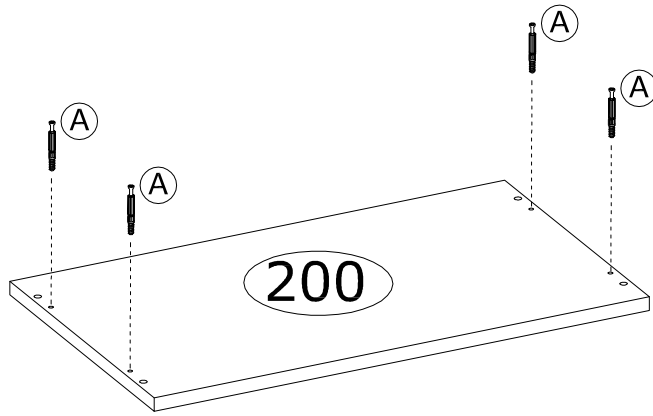
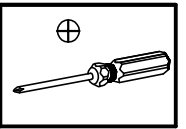
1.



2.



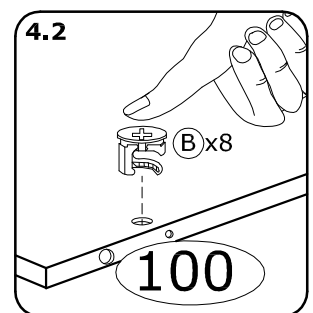
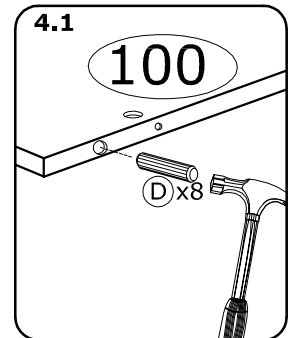
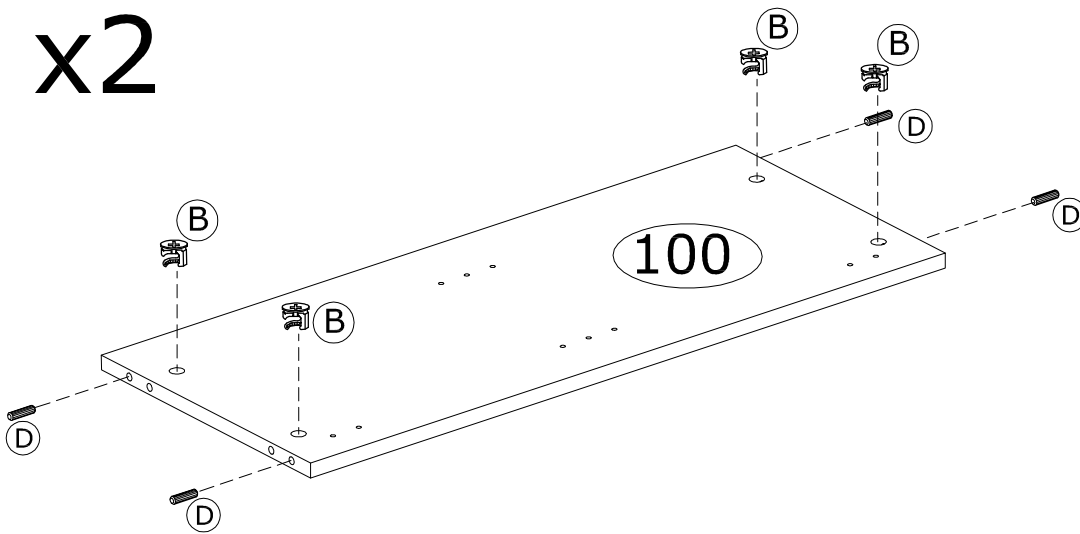
3.



4.



x2



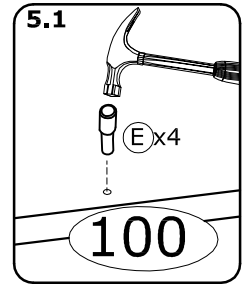
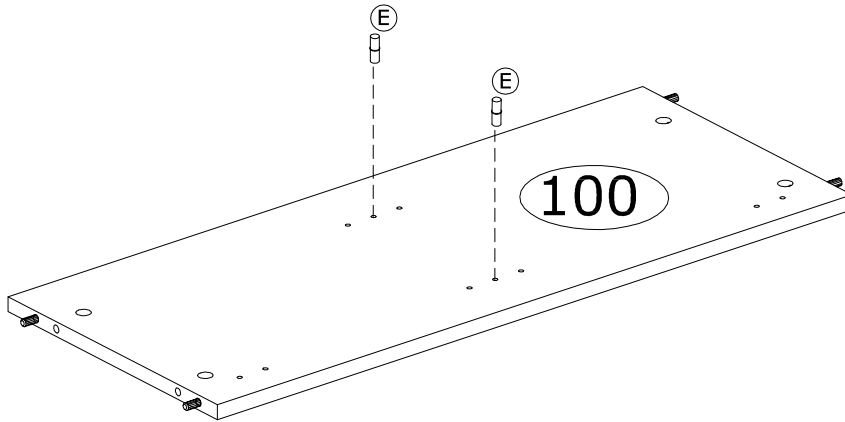
5.



E-4



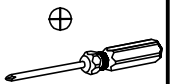
x2



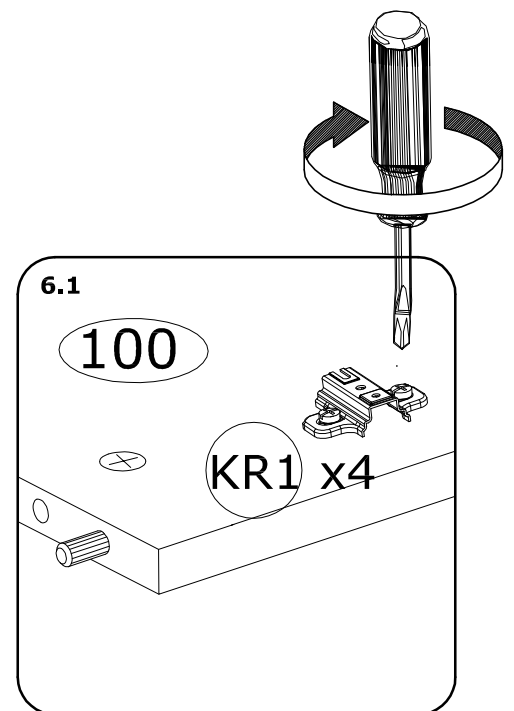
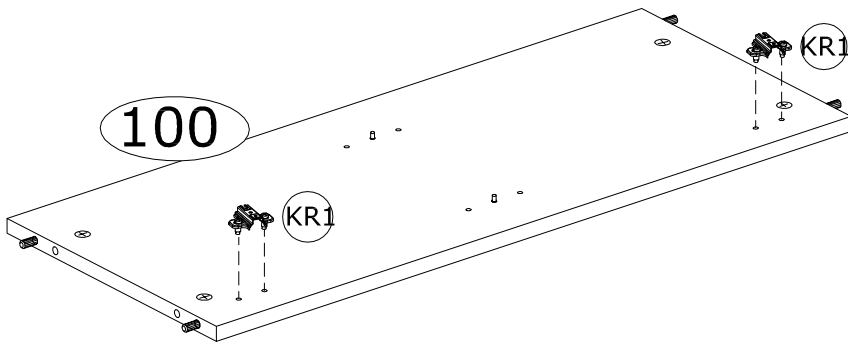
6.



KR1-4



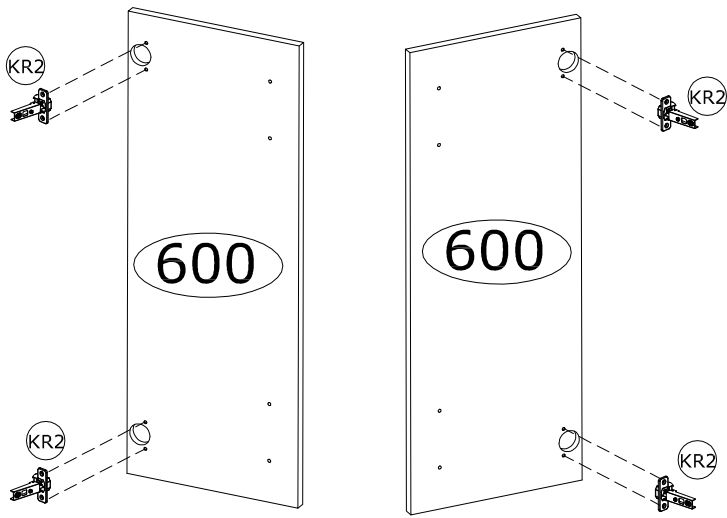
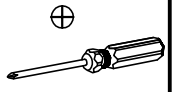
x2



7.

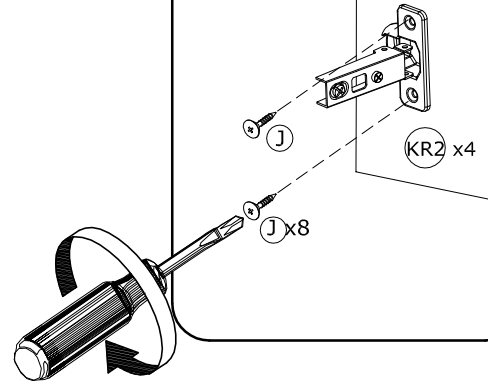
KR2-4

J-8



7.1

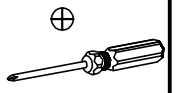
600



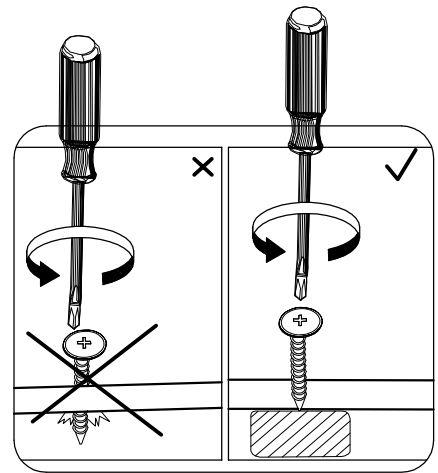
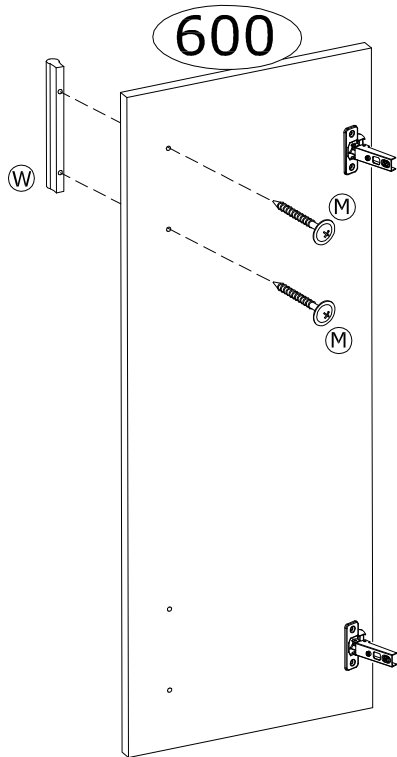
8.

W-2

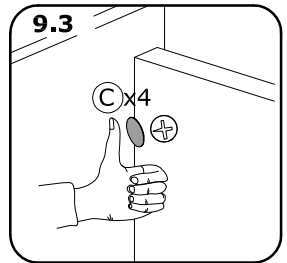
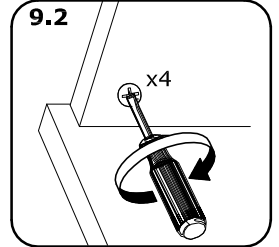
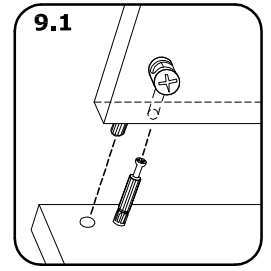
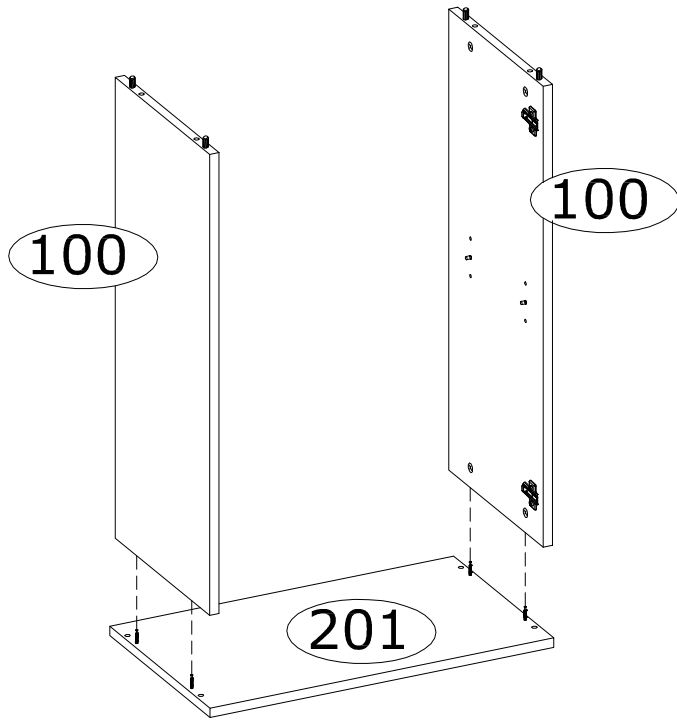
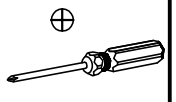
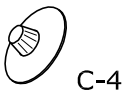
M-4



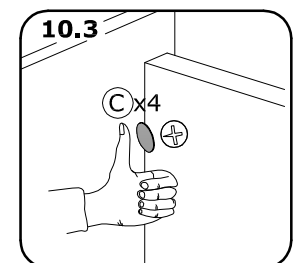
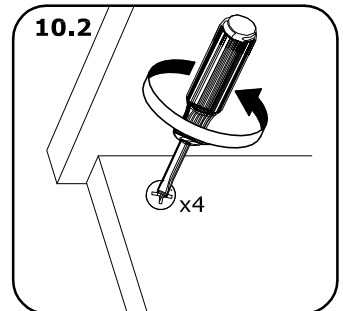
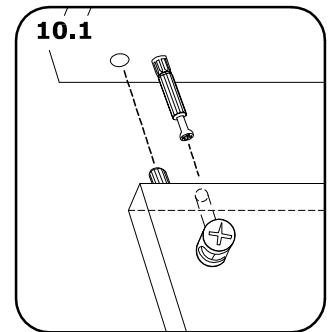
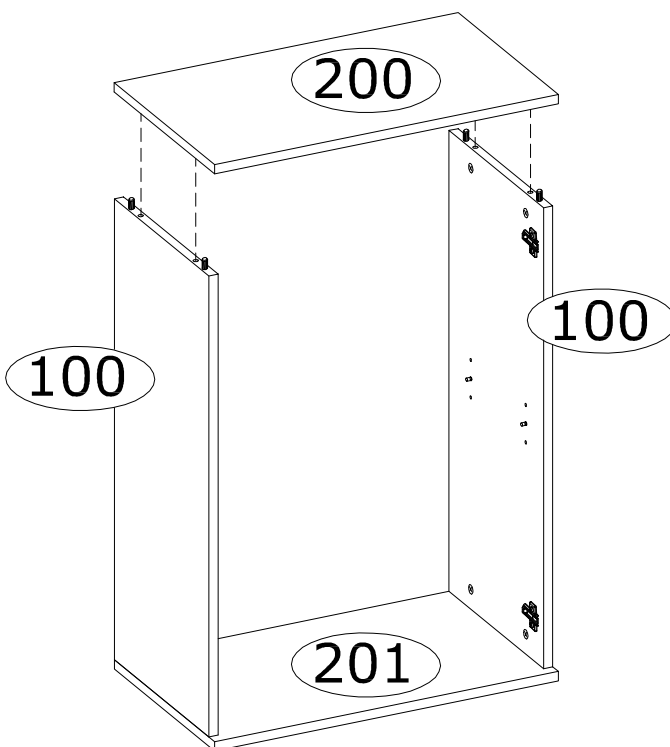
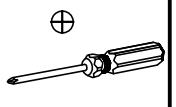
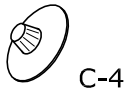
x2



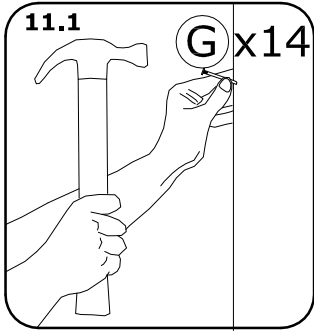
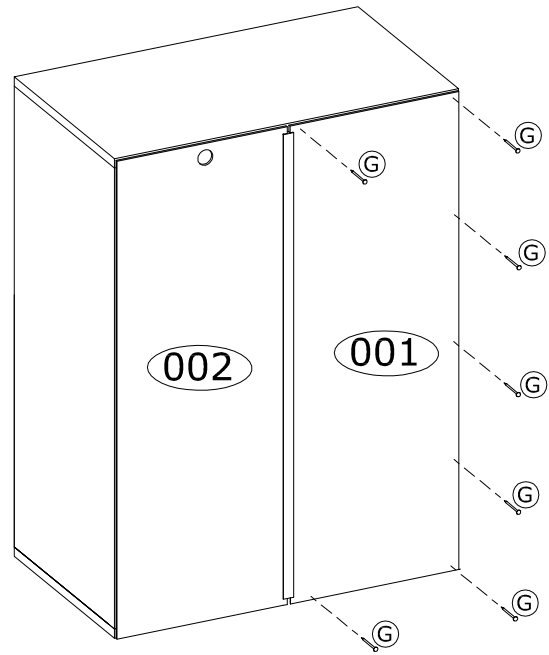
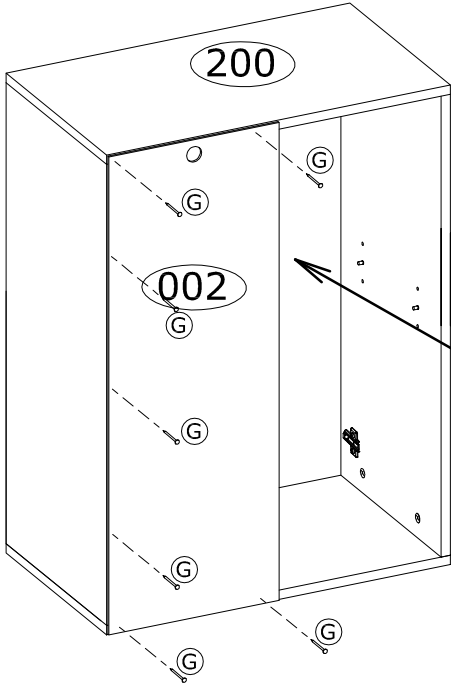
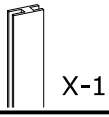
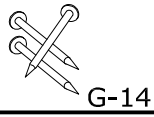
9.



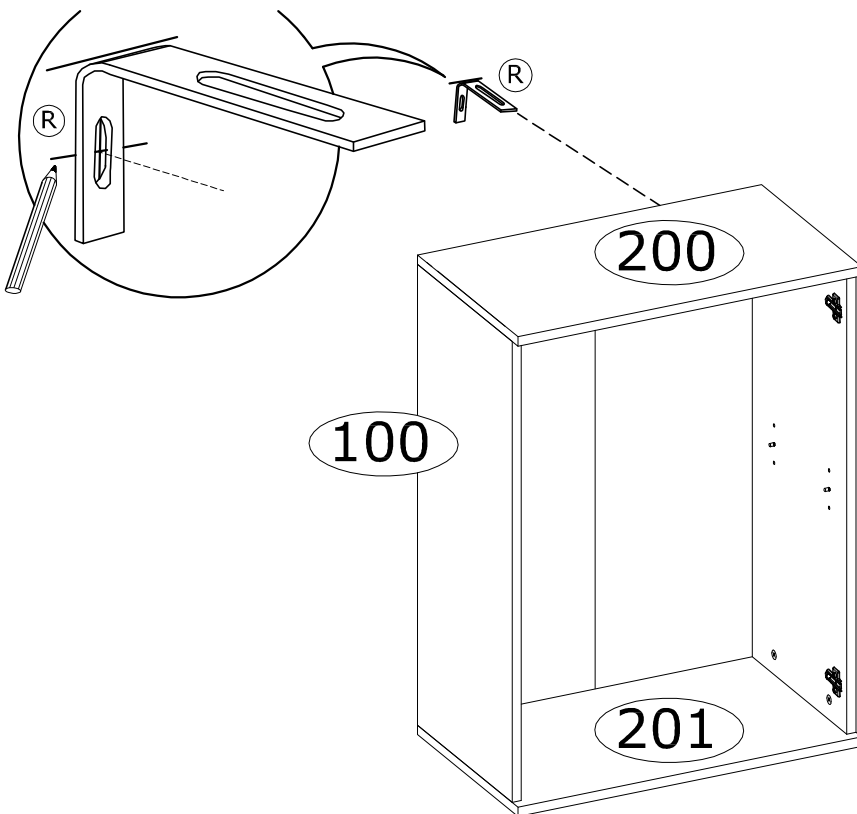
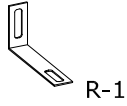
10.



11.



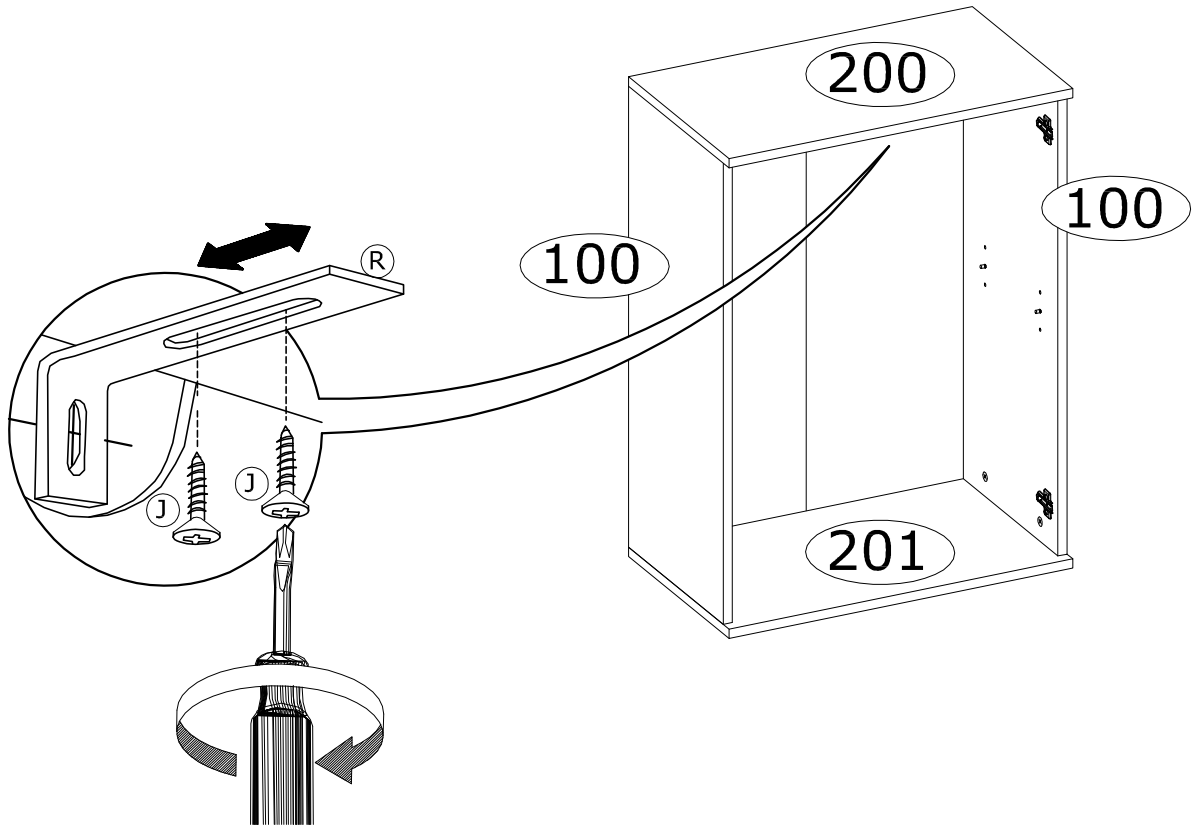
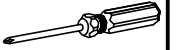
12.



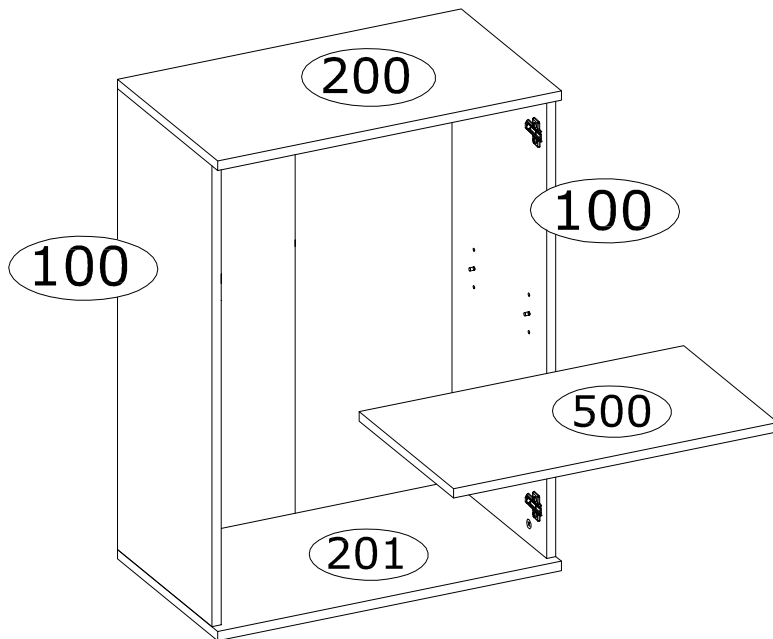
13.



J-2



14.



15.

